

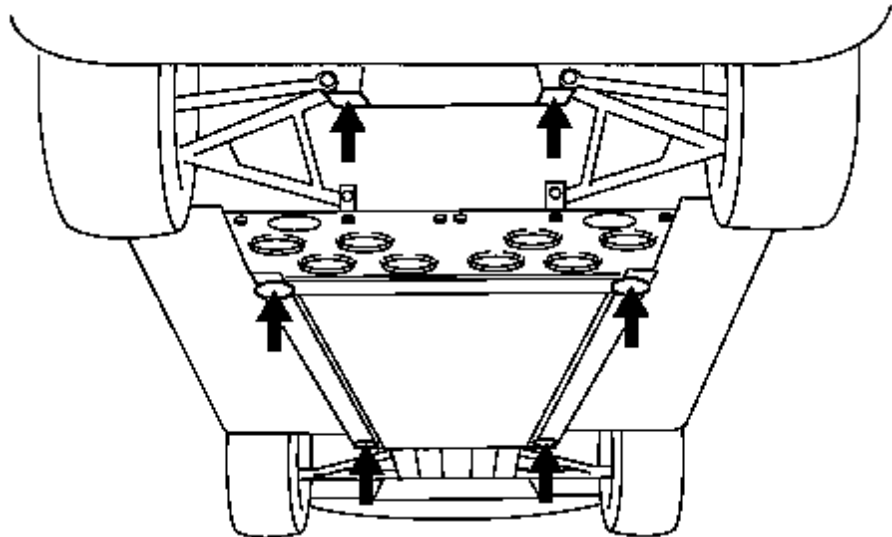
Jacking Points for Lifting Equipment

To avoid damage to components and aggregates, lifting equipment must only be used at the positions indicated. Observe the relevant manufacturer's instructions for the use of lifting equipment. A jack is not supplied with the vehicle.

Important:

Due to the weight distribution of the vehicle it is specifically recommended that all work carried out under the vehicle or on the front and rear suspension should be performed on a platform hoist, over a pit or otherwise on the workshop floor.

When supporting the vehicle on a four point location system any component removal or use of tooling can dramatically move the centre of gravity to an imbalance situation.



T 9723